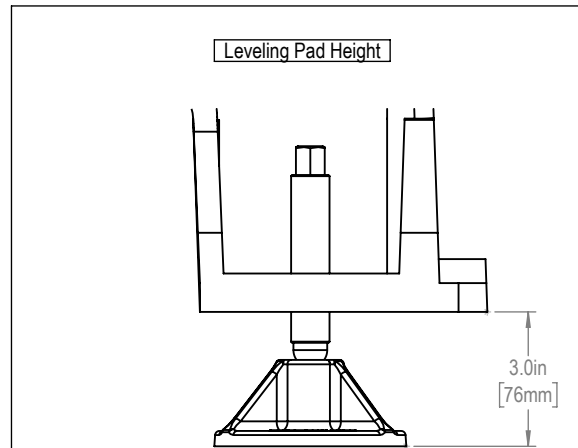
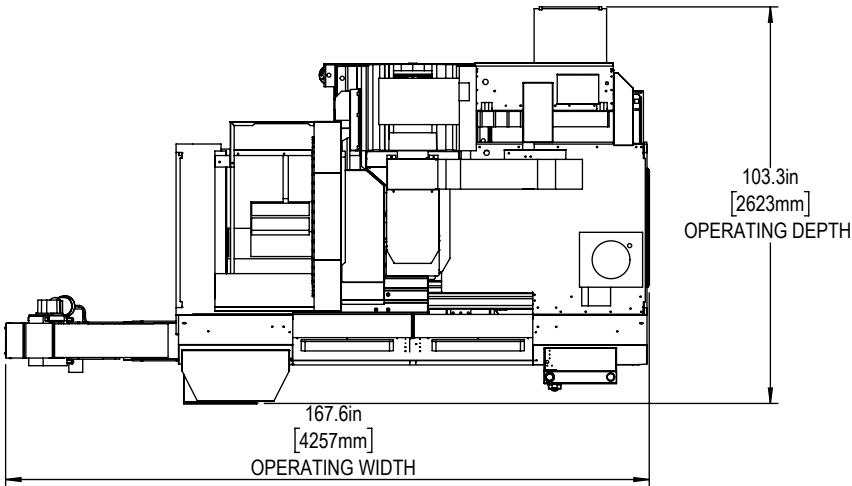
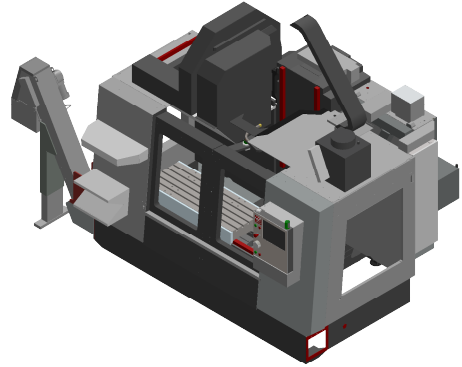
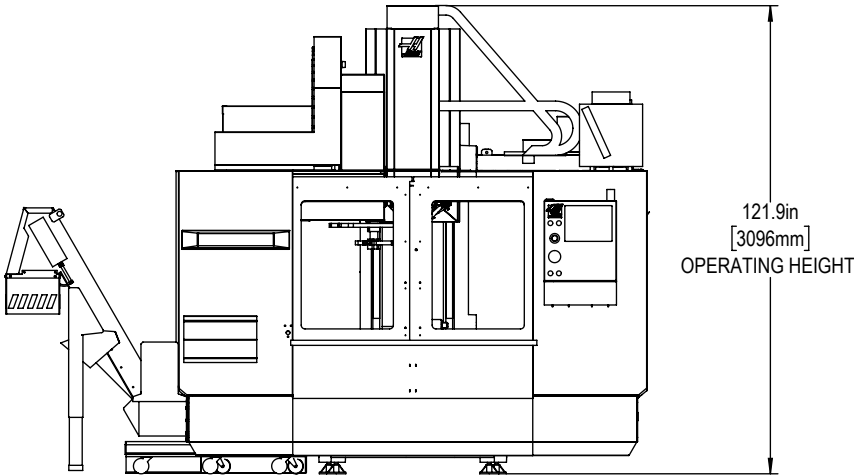
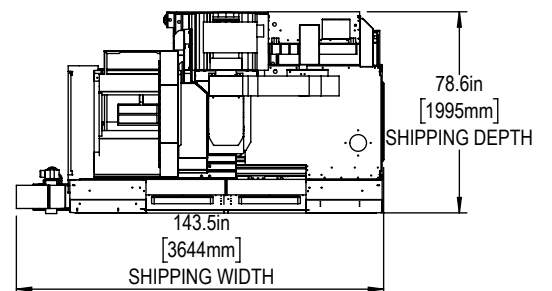
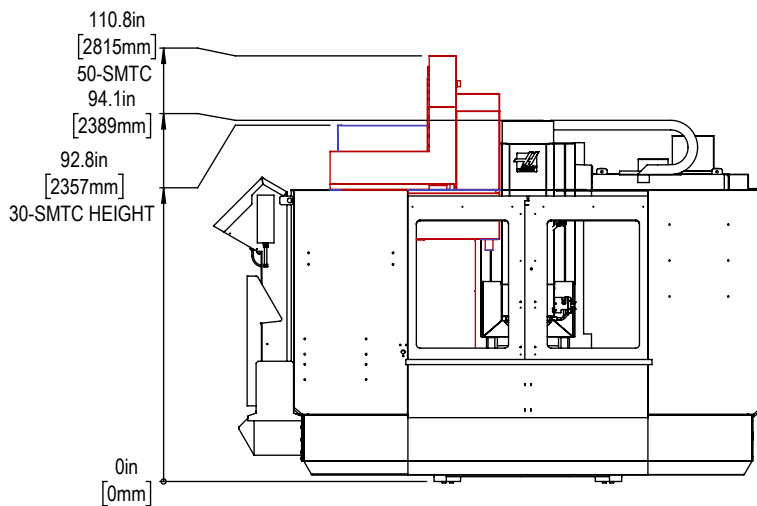


Installed Dimensions

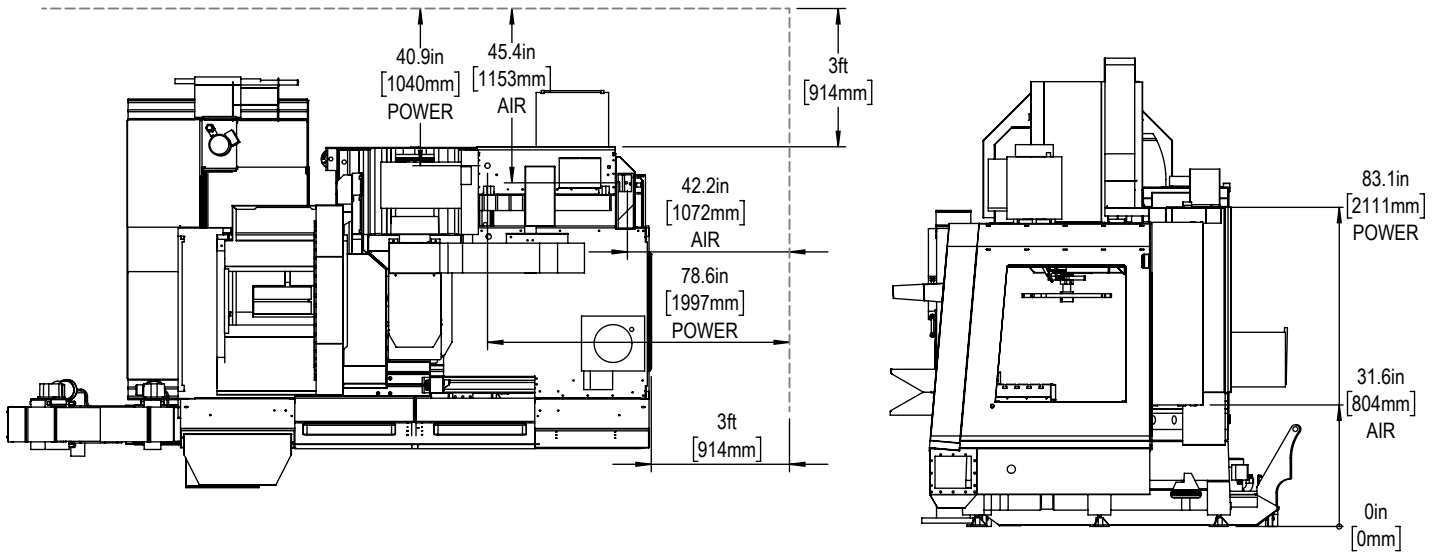


*All Height Dimensions Based on Suggested Leveling Pad Height

Shipping Dimensions



Air & Power



Maintain 3 feet [915mm] clearance to the nearest obstruction around all sides of machine perimeter for maintenance access

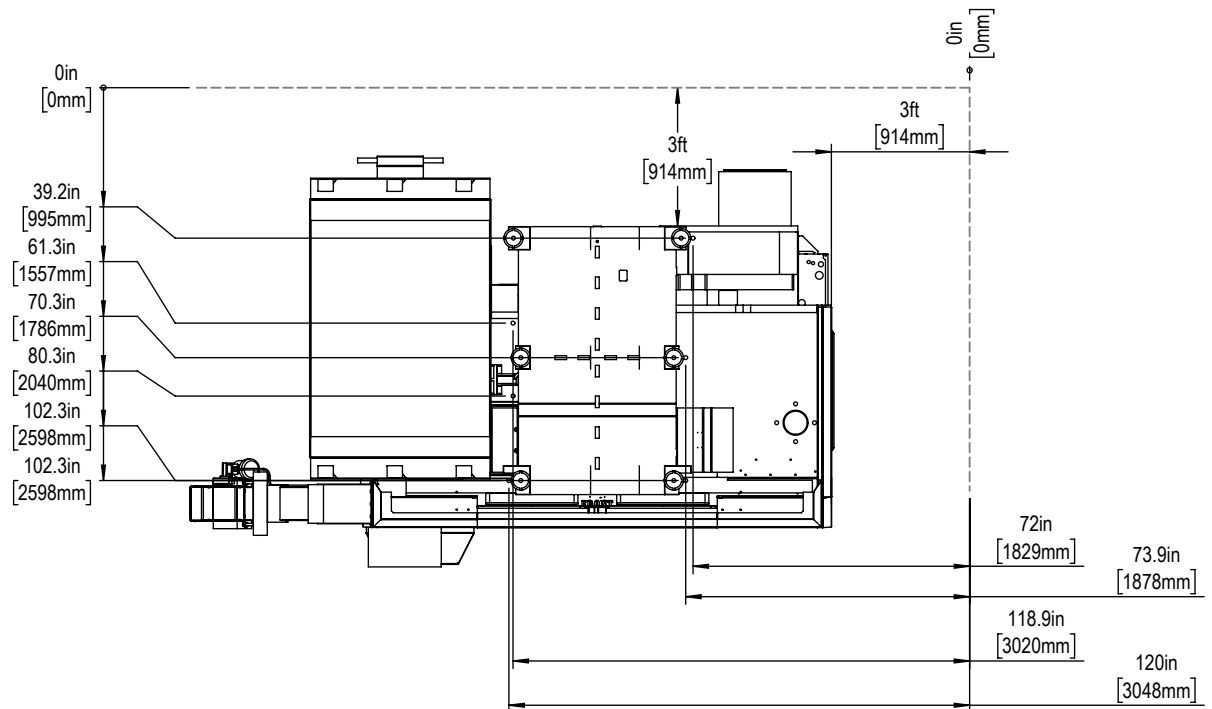
Note:

Machine must be placed on one continuous concrete slab. Slab should extend 12in [305mm] beyond anchor holes in all directions

Anchor Pattern

Anchor Hole Detail

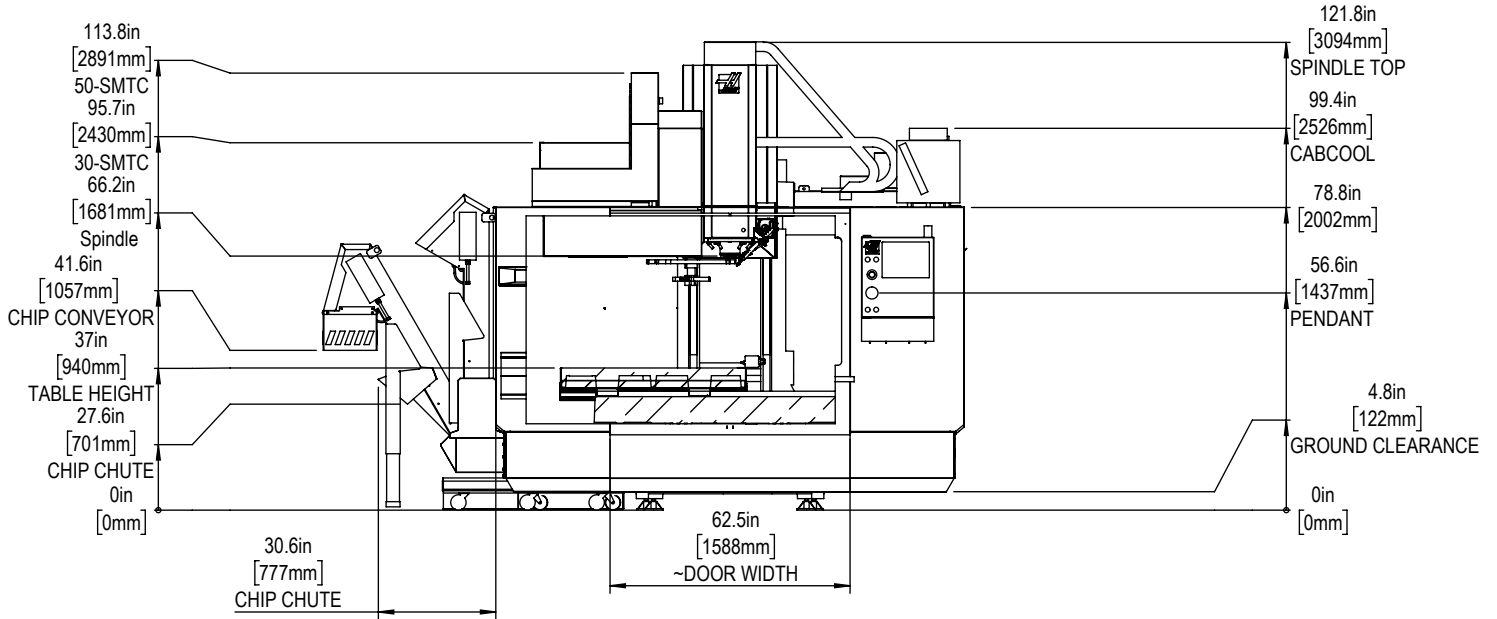
Ø 1.0in[25mm]
▽ 3.5in[90mm]



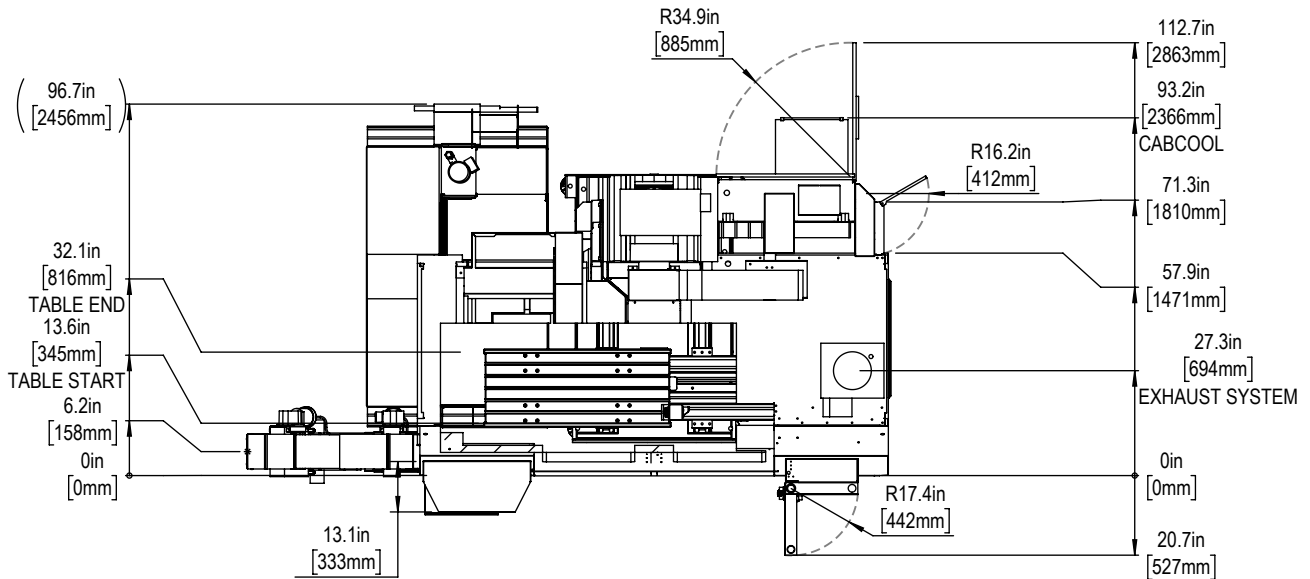
For precise locations and specifications please use template in Anchoring Kit found at Haascnc.com



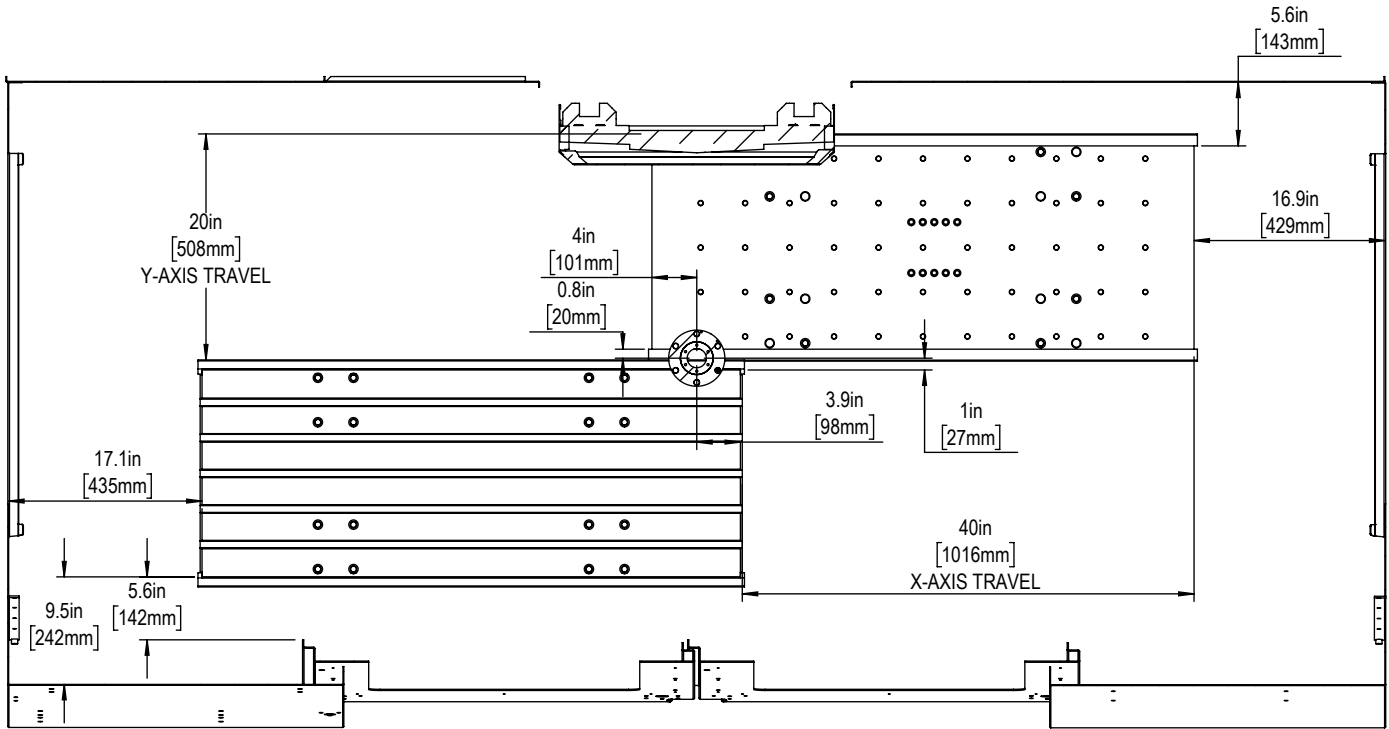
Height Breakdown



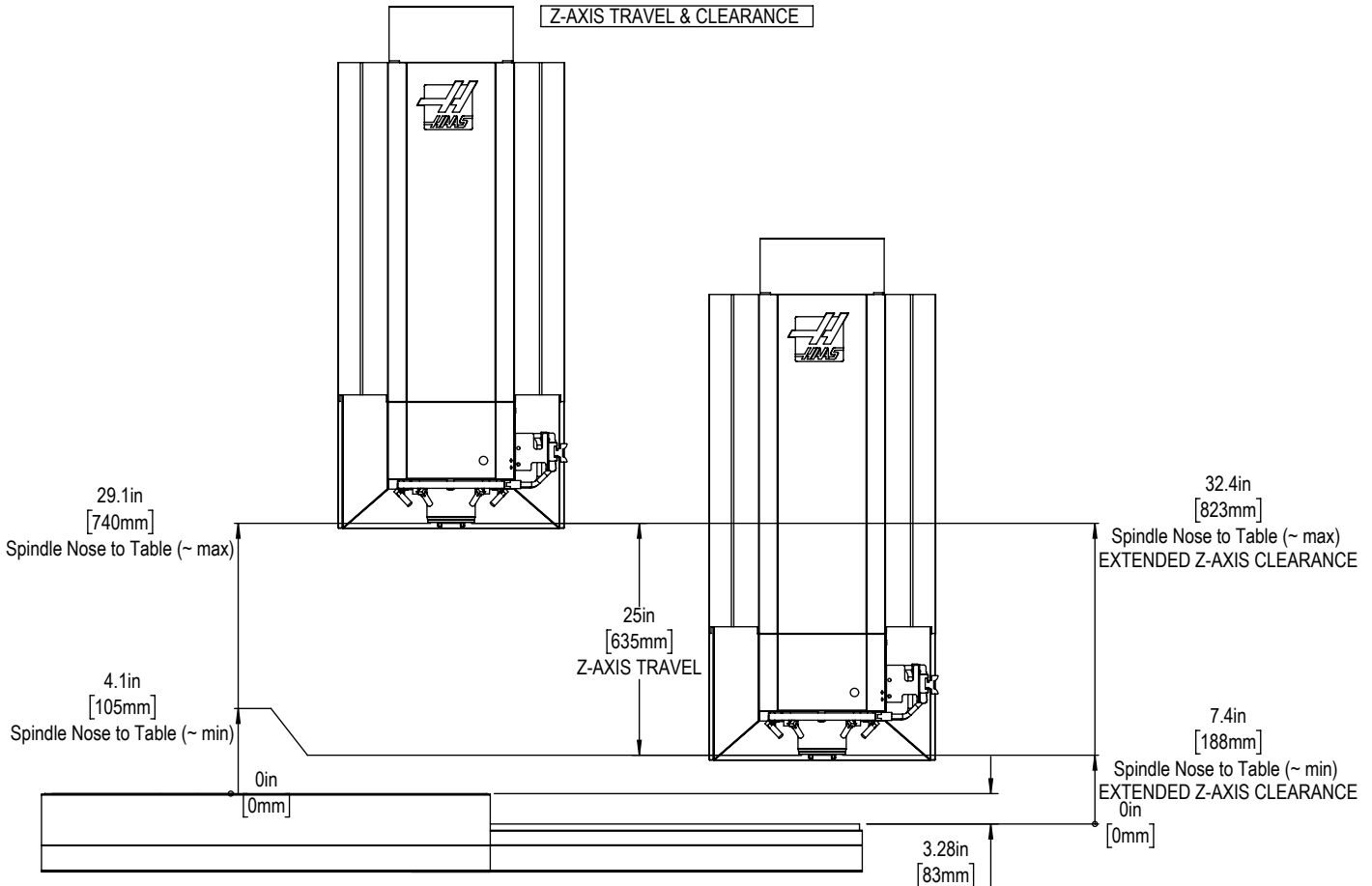
Width Breakdown



X&Y-Axis Travel and Clearance

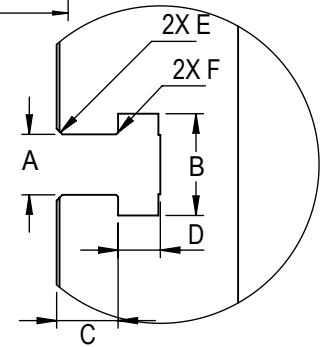
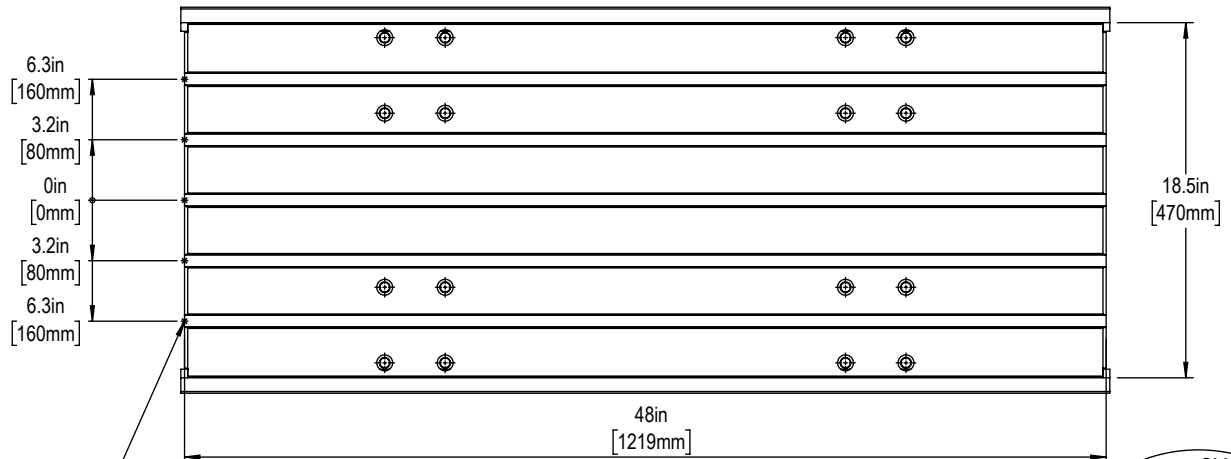


Z-AXIS TRAVEL & CLEARANCE



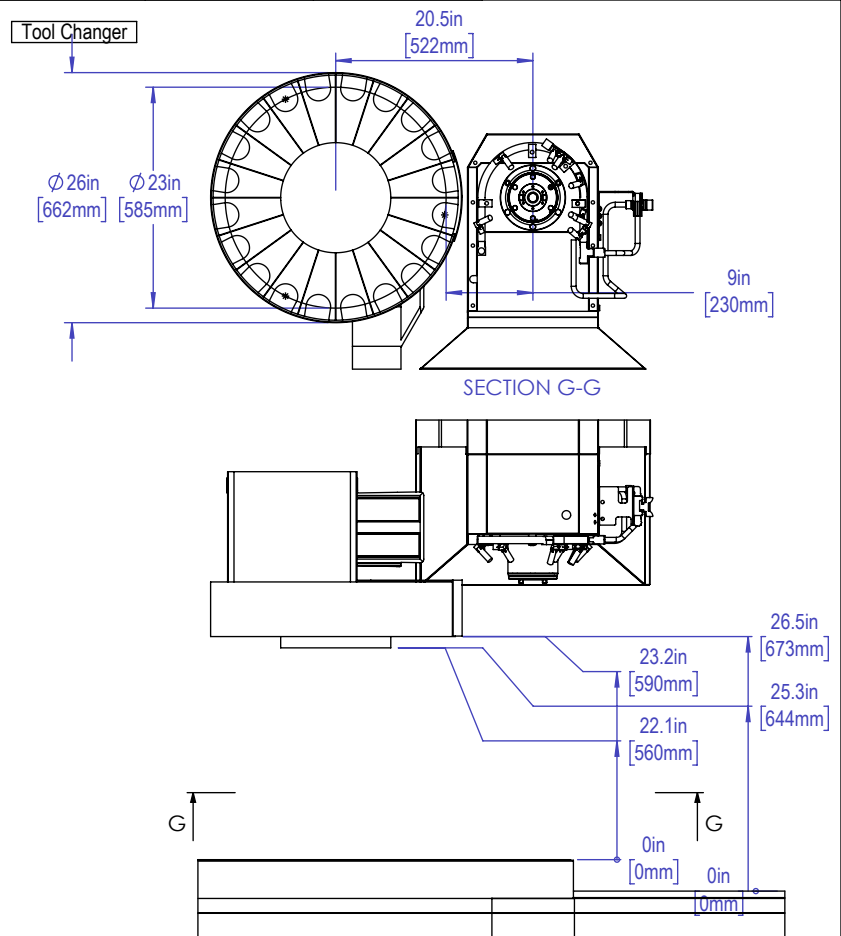
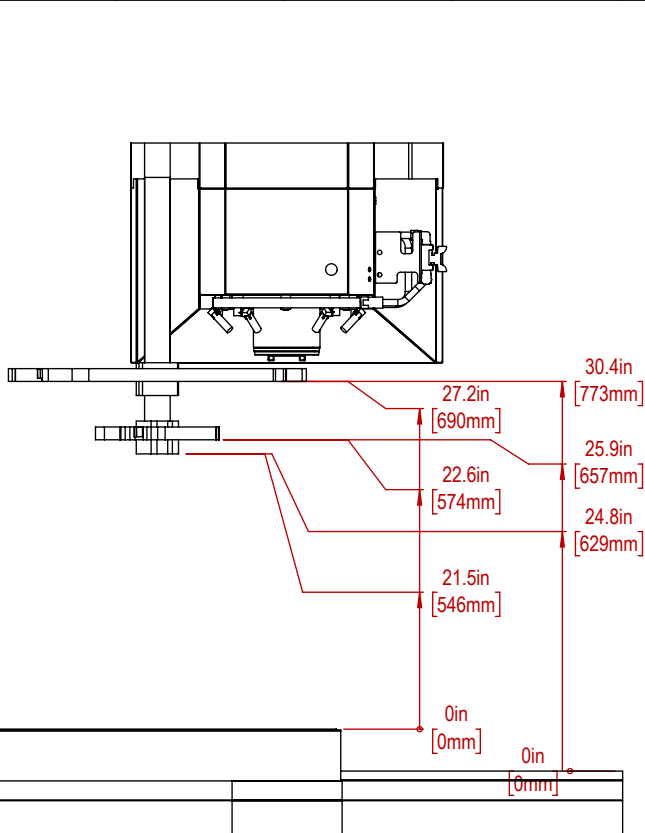


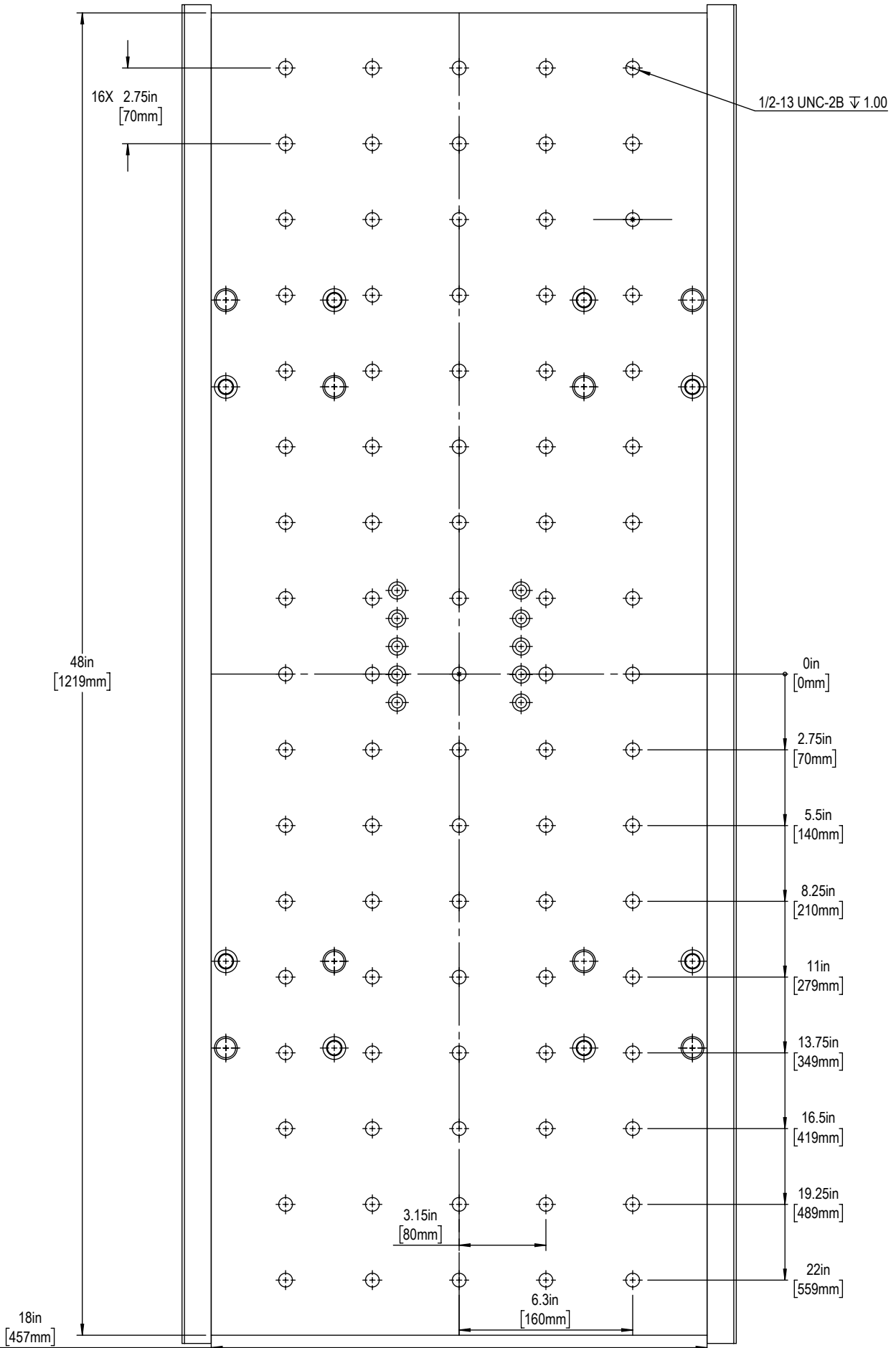
Table



T-Slot Dimensions in inches

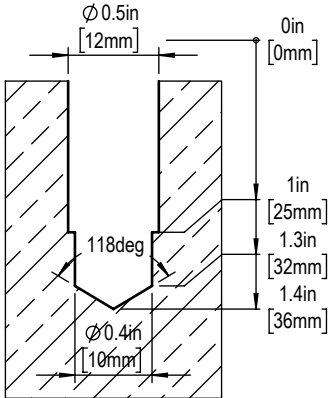
Slot Size	A	B	C	D	E	F
12mm	$0.438^{+0.002}_{-0.000}$	0.76 ± 0.02	0.310 ± 0.010	0.318 ± 0.010	$0.03 \times 45^\circ$	$0.020 \times 45^\circ$
16mm	0.628 ± 0.002	1.06 ± 0.02	0.640 ± 0.010	0.420 ± 0.010	$0.06 \times 45^\circ$	$0.020 \times 45^\circ$







4 X 3.937 = 15.748in
[400mm]
NON-CUMULATIVE



SECTION I-I

10 X 3.937 = 39.37in
[1000mm]
NON-CUMULATIVE

