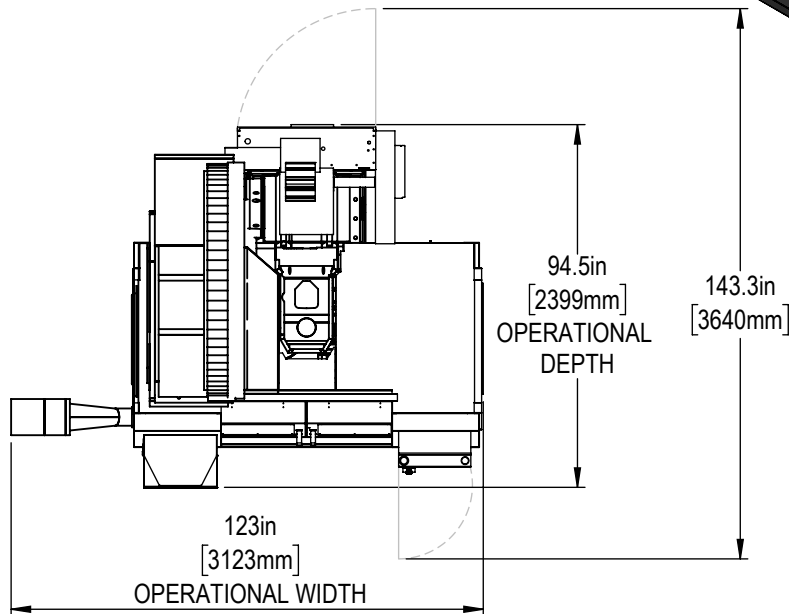
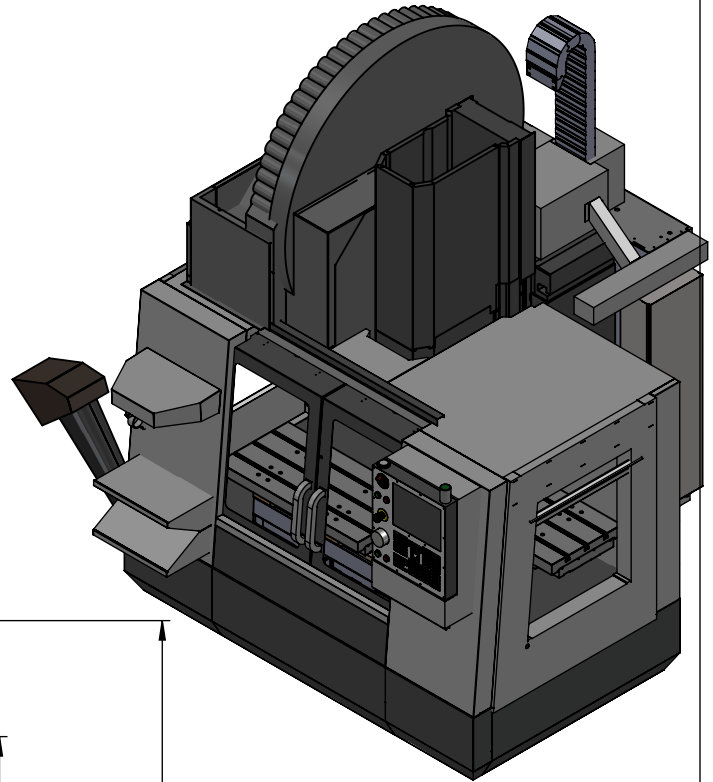
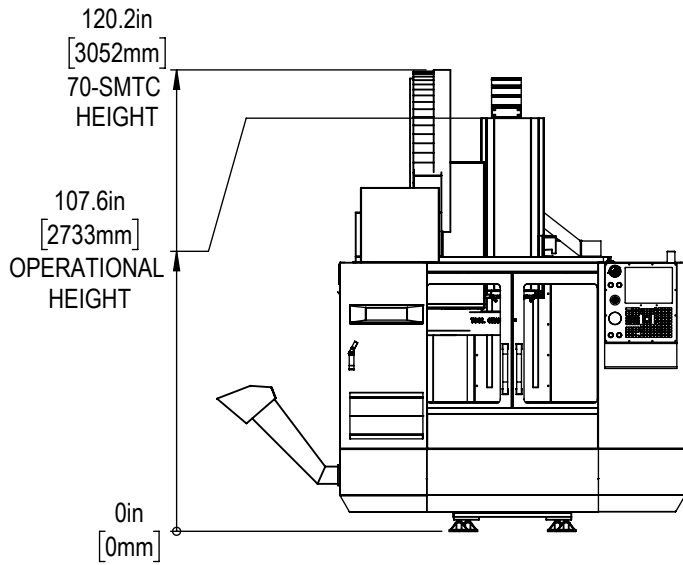
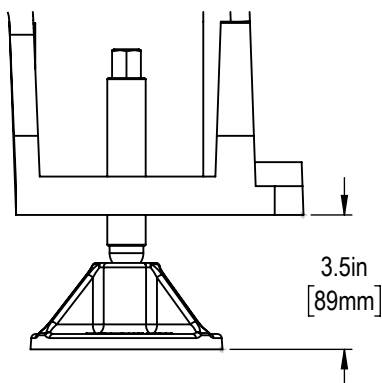




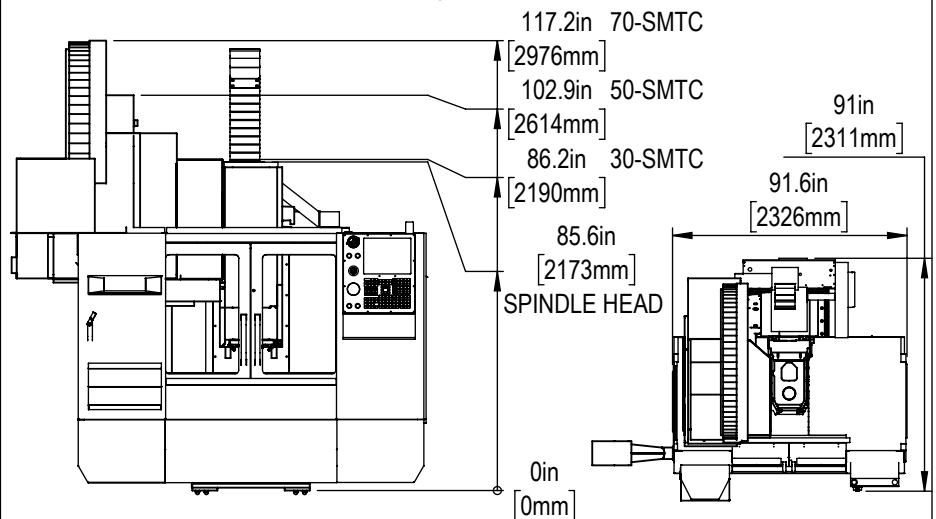
Installed Dimensions



Leveling Pad Height

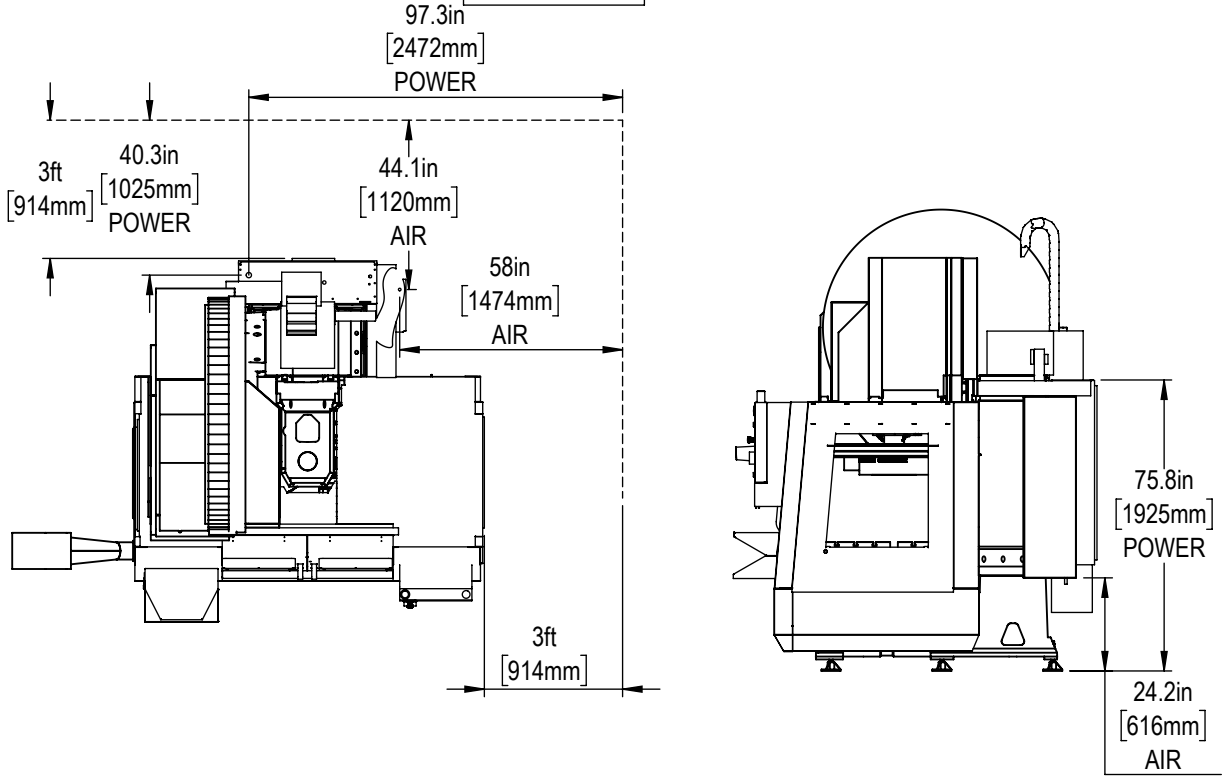


Shipping Dimensions

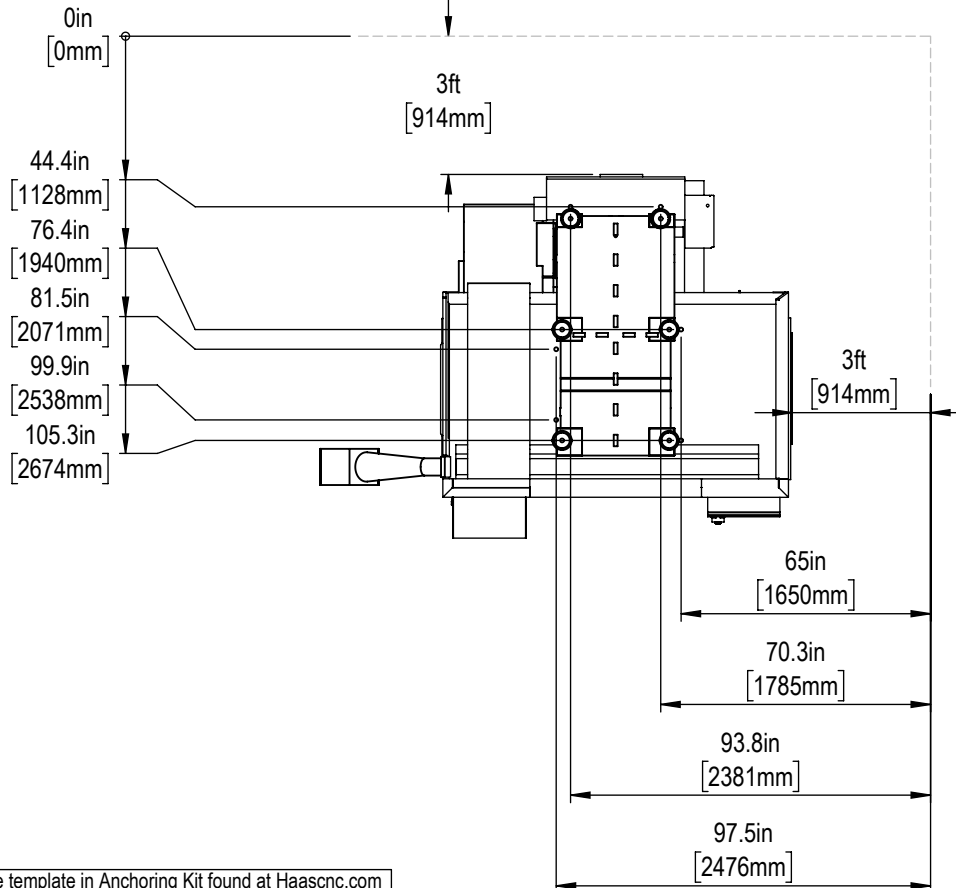


*All Height Dimensions Based on Suggested Leveling Pad Height

Air & Power



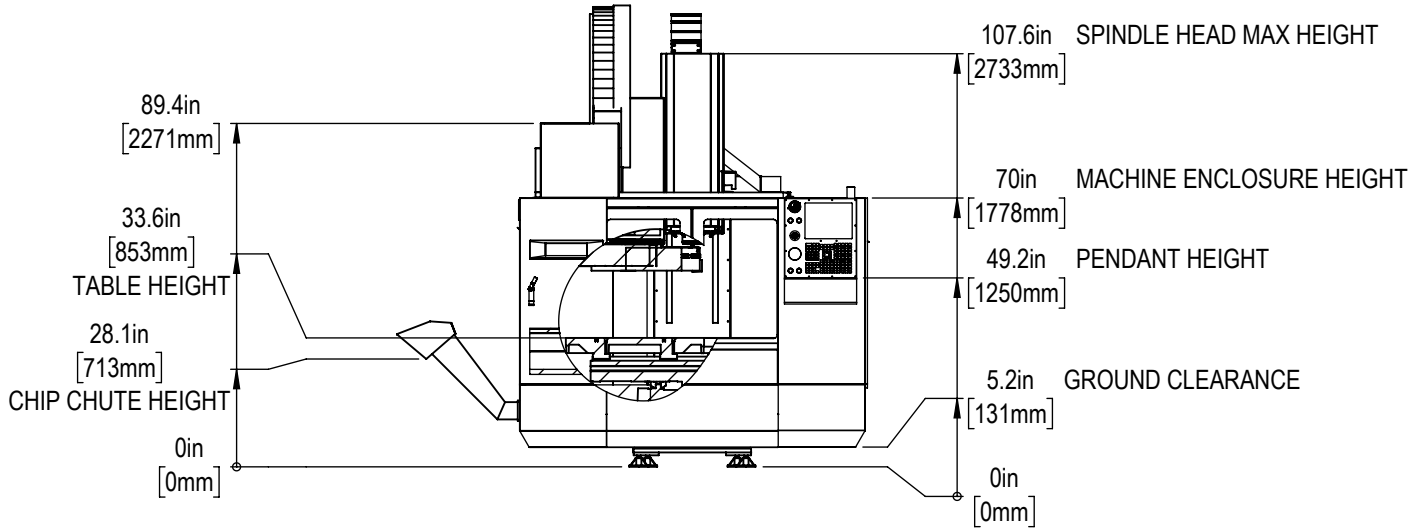
Anchor Pattern



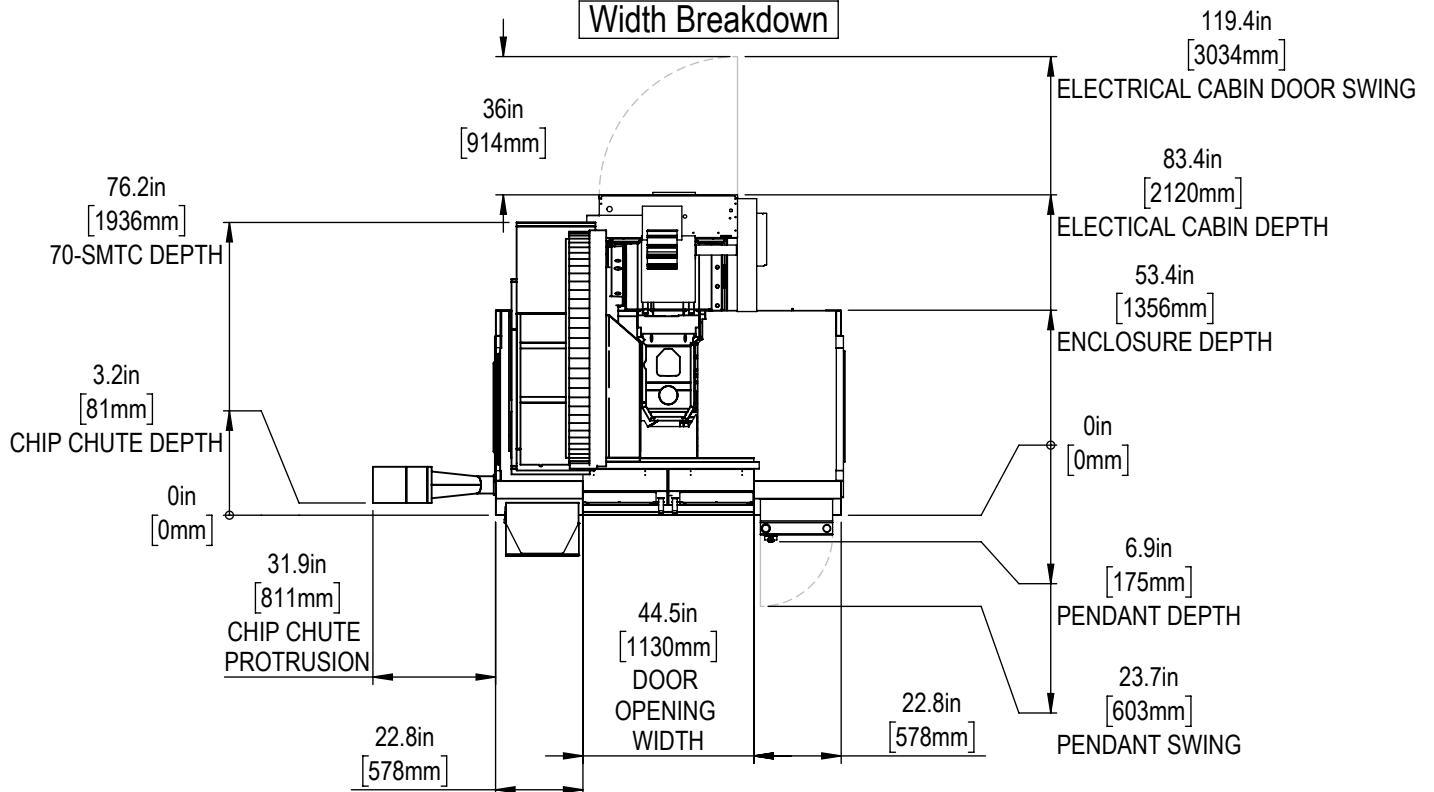
For precise locations please use template in Anchoring Kit found at Haascnc.com



Height Breakdown

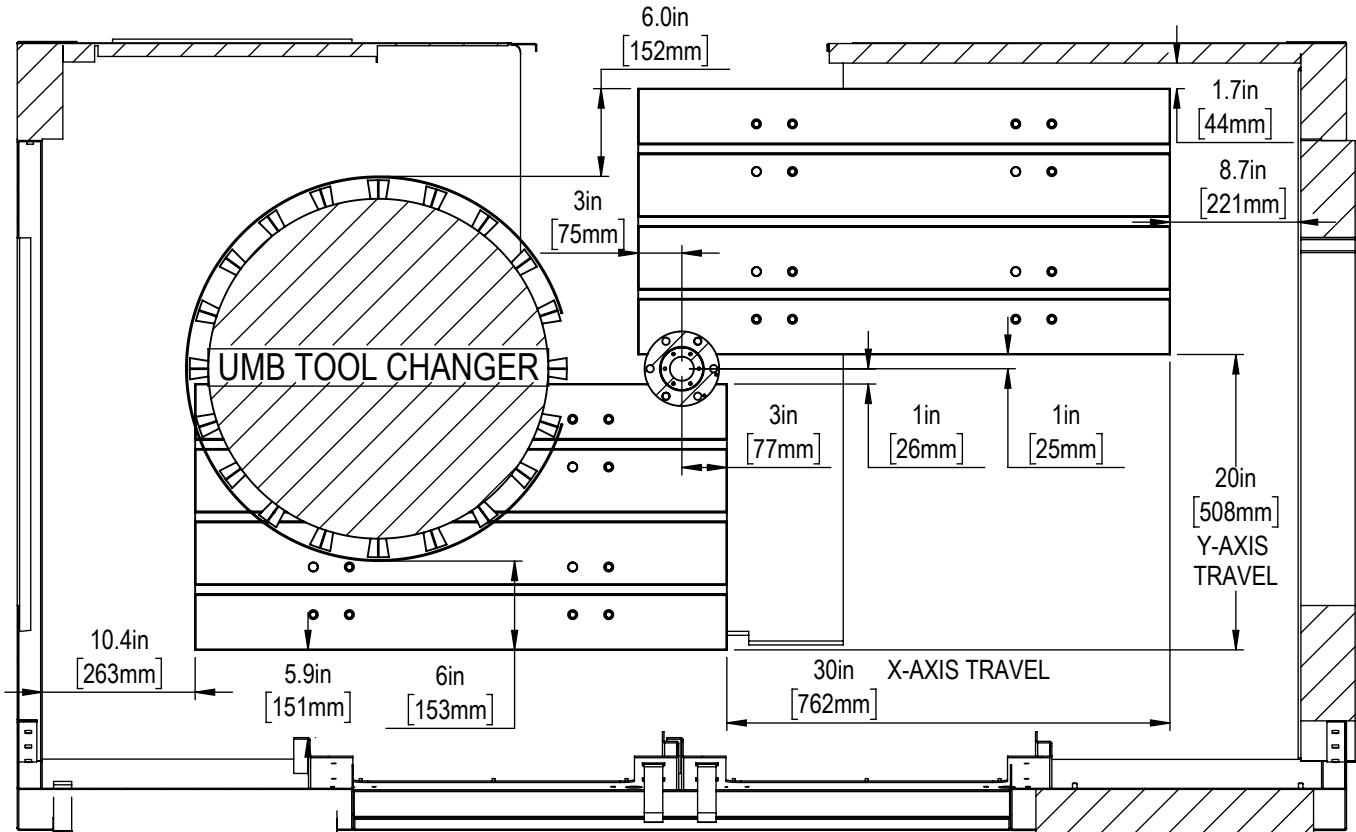


Width Breakdown

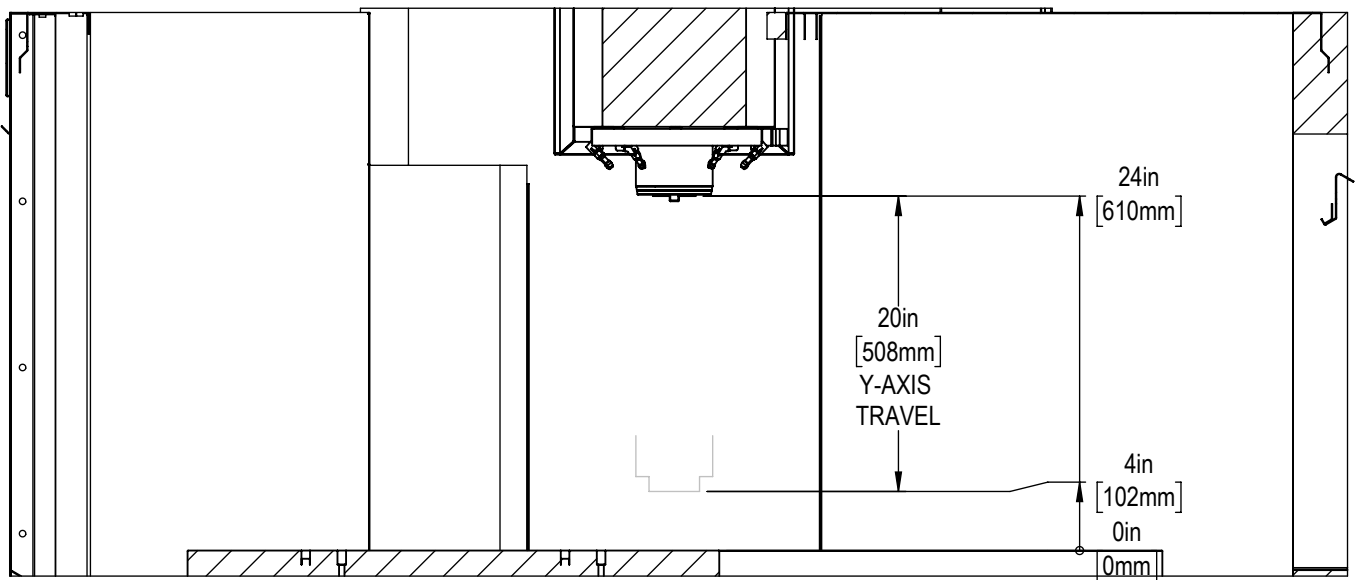


Maintain 3 feet [915mm] clearance to the nearest obstruction around all sides of machine perimeter for maintenance access

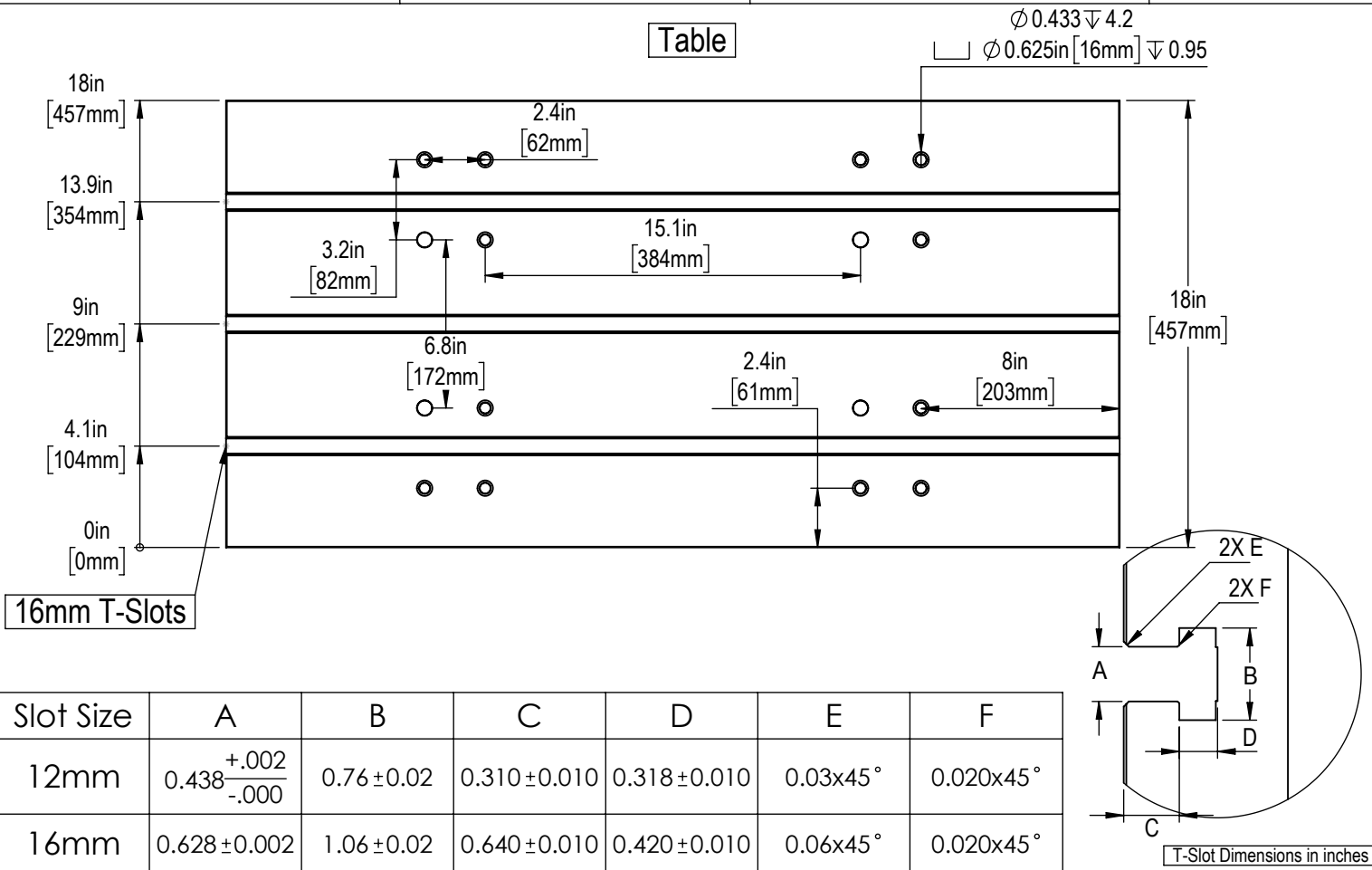
X&Y-Axis Travel



Z-Axis Travel



Table



Tool Changer

